



95 Baffin Place, Waterloo, ON N2V 2C1  
 Phone: 519-746-8955  
 800-563-4246  
 Fax: 519-746-2188  
 Website: [www.hahnrentals.com](http://www.hahnrentals.com)  
 Email: [Info@hahnrentals.com](mailto:Info@hahnrentals.com)

# EXHIBIT SYSTEM RENTALS

**Fergus Home & Leisure Show**  
**May 10, 11 & 12<sup>th</sup>, 2017**

Company: \_\_\_\_\_  
 Street: \_\_\_\_\_  
 City: \_\_\_\_\_ Prov: \_\_\_\_\_ Postal Code: \_\_\_\_\_  
 Phone: \_\_\_\_\_ Fax: \_\_\_\_\_  
 Contact Name: \_\_\_\_\_ Booth #: \_\_\_\_\_  
 Email address for receipt: \_\_\_\_\_

Visa  MasterCard  Cheque  No AmEx

Card Holder Name: \_\_\_\_\_  
 Card #: \_\_\_\_\_  
 Expiry: M \_\_\_\_\_ Y \_\_\_\_\_  
 Signature: \_\_\_\_\_

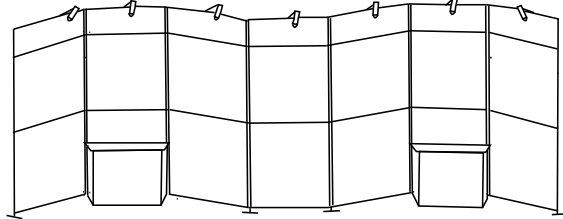
**25% administration charge will apply to orders cancelled 2 weeks prior to show.**  
**Orders must be pre-paid before closing at 5pm Monday prior to show date to receive pre-show price.**

## POLE / PANEL SERIES

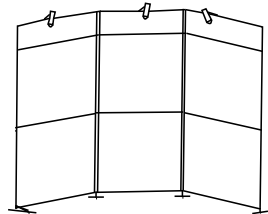
HP style c/w 2 – 3' x 4' Panels & 1 – 16" x 4' Header per 4' section.  
 VP style c/w 2 – 4' x 3' Panels per 3' section.

- Silver       Charcoal       Black  
 Red           Royal Blue

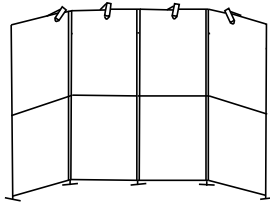
Custom design of any of these exhibits can be arranged.



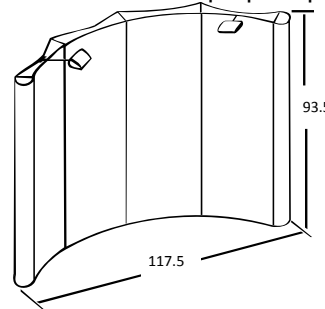
L



J



K



M

- J - HP Portable Exhibit System  
 10' exhibit with 3 stem lights  
 20' exhibit with 6 stem lights
- K - VP Portable Exhibit System  
 10' exhibit with 4 stem lights  
 20' exhibit with 8 stem lights
- L - Deluxe 20' Exhibit  
 7 – 75w stem lights & 2 – 4' Trapezoidal counters
- M - 10' Hexa Black Pop-up Display

	Pre-show	On-site
<input type="checkbox"/> J - HP Portable Exhibit System		
<input type="checkbox"/> 10' exhibit with 3 stem lights	525.00	655.00
<input type="checkbox"/> 20' exhibit with 6 stem lights	1070.00	1335.00
<input type="checkbox"/> K - VP Portable Exhibit System		
<input type="checkbox"/> 10' exhibit with 4 stem lights	530.00	660.00
<input type="checkbox"/> 20' exhibit with 8 stem lights	1070.00	1335.00
<input type="checkbox"/> L - Deluxe 20' Exhibit		
7 – 75w stem lights & 2 – 4' Trapezoidal counters	1190.00	1485.00
<input type="checkbox"/> M - 10' Hexa Black Pop-up Display	525.00	655.00

Authorizing signature x \_\_\_\_\_

Subtotal:	_____
HST 13%:	_____
<b>ADD \$7.50 FOR U.S. CHEQUES:</b>	_____
Total:	_____

**Complete and return to Hahn Rentals at address above.**  
**All rates above are for the duration of show.**  
**All claims/discrepancies must be settled prior to show closing.**  
**REFUNDS will not be given on any orders changed or cancelled on site.**  
**All materials remain the property of Hahn Rentals and will be removed upon show close.**

H.S.T R104250493  
 2016 HAHN RENTALS